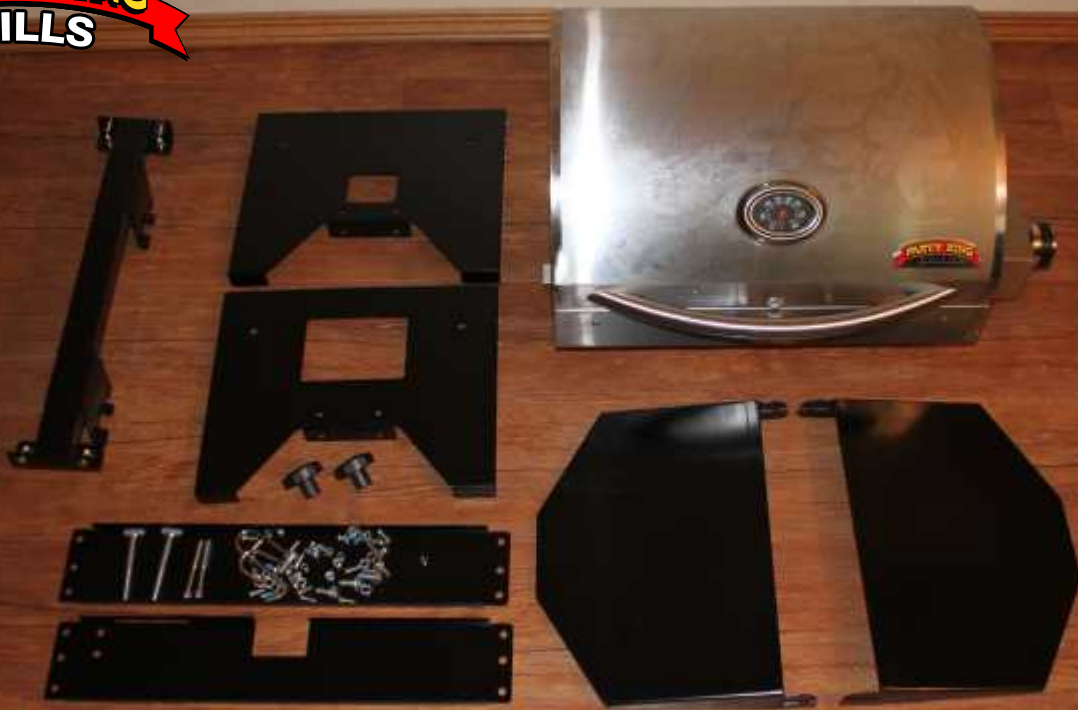


VARSITY ASSEMBLY GUIDE



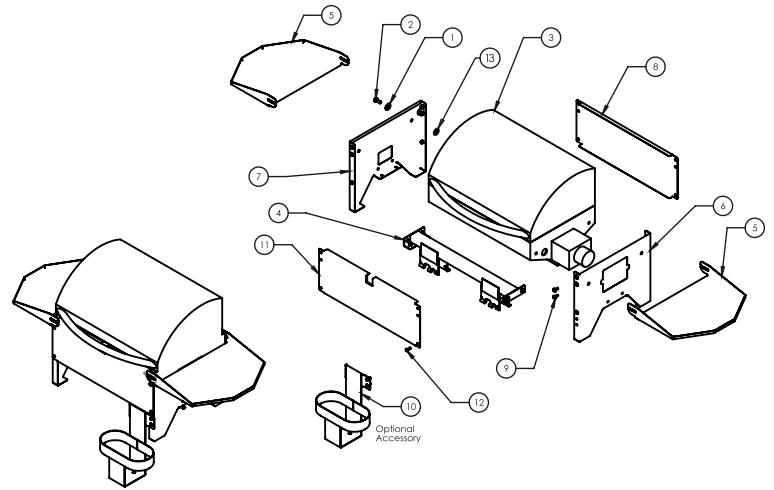
Note: Until assembly is completed, do not fully tighten any bolts. Leave room for adjustment during assembly.

www.PartyKingGrills.com

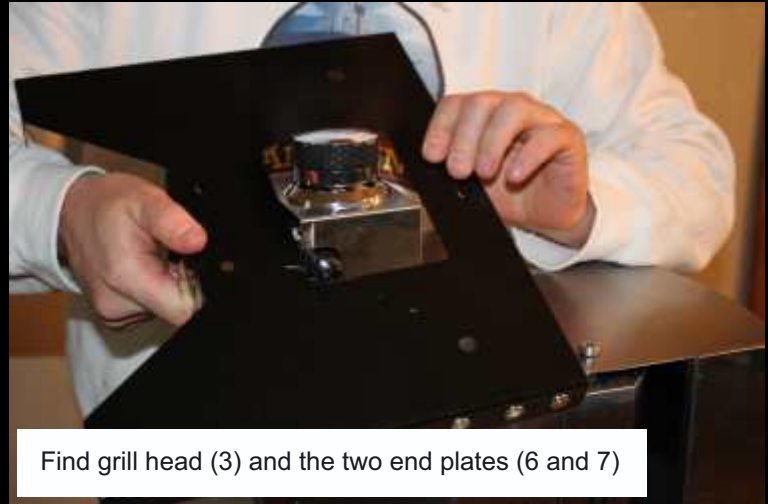
VARSITY ASSEMBLY GUIDE

Product List:

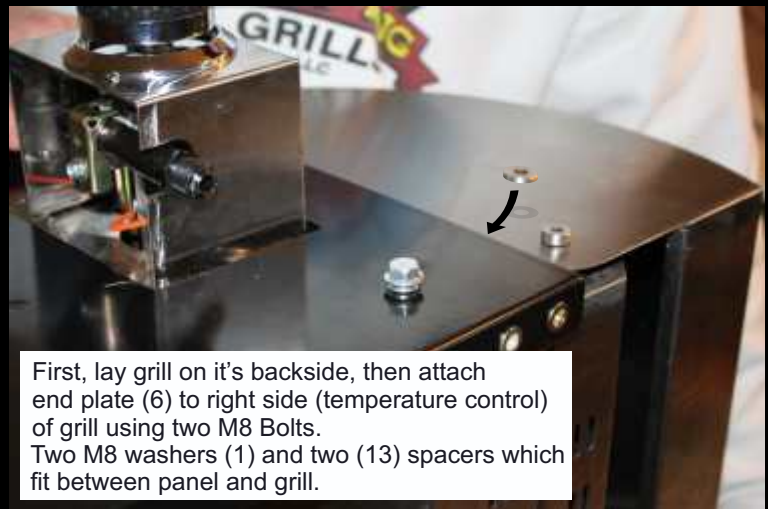
| ITEM NO. | PART NUMBER | DESCRIPTION | QTY. |
|----------|-------------|----------------------------|------|
| 1 | 372829 | Washer, M8 Flat | 4 |
| 2 | 372945 | Bolt, M8 x 20 | 4 |
| 3 | 373020 | Grill Head | 1 |
| 4 | 373025 | Cross Beam Assy | 1 |
| 5 | 373029 | Table, Side, Right | 2 |
| 6 | 373030 | End Plate Subassy, Right | 1 |
| 7 | 373031 | End Plate Subassy, Left | 1 |
| 8 | 373034 | Panel, Rear | 1 |
| 9 | 373037 | Bolt, M6 Shoulder | 8 |
| 10 | 372916 | Assembly, Twin Tank Holder | 1 |
| 11 | 373038 | Front Panel | 1 |
| 12 | 372902 | Bolt, M6 x 16 Button Head | 10 |
| 13 | 373035 | Panel/Grill Spacers | 4 |



VARSITY ASSEMBLY GUIDE



Find grill head (3) and the two end plates (6 and 7)

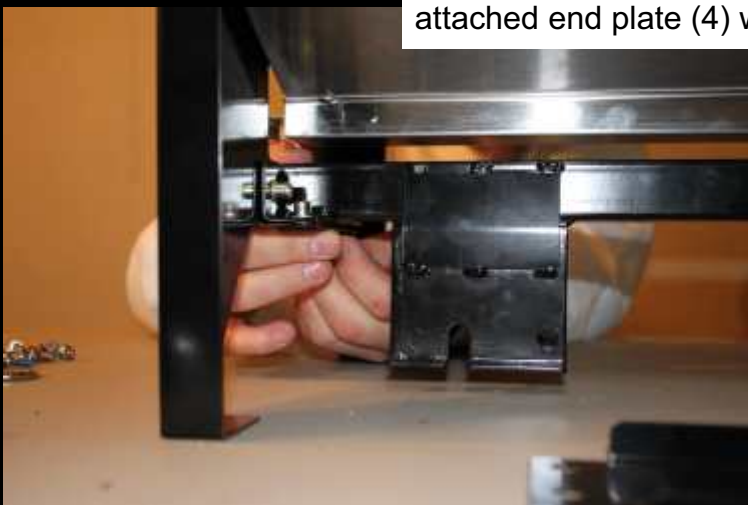


First, lay grill on it's backside, then attach end plate (6) to right side (temperature control) of grill using two M8 Bolts. Two M8 washers (1) and two (13) spacers which fit between panel and grill.

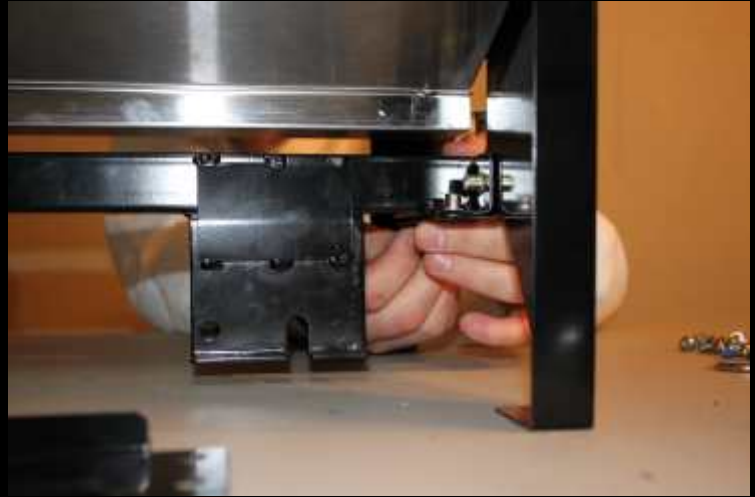
VARSITY ASSEMBLY GUIDE



Find and attach cross beam assembly to attached end plate (4) with four of (12) M6 Bolts.



VARSITY ASSEMBLY GUIDE



Now attach end plate (7) to left side of grill using two M8 Bolts (2), two M8 washers (1) and two (13) spacers which fit between panel and grill. Next, attach cross beam assembly to attached end plate (6) with four of (12) M6 Bolts.

VARSITY ASSEMBLY GUIDE



Install the Front Panel (11) to the front of the End Plates using M6 bolts (12) only in the bottom holes.



Install the Rear Panel (8) to the back of the End Plates using M6 bolts (12) only in the bottom holes.

VARSITY ASSEMBLY GUIDE



Now, install the same shoulder bolts in the second hole down, just below the ones the Side Tables pivot on. This will not go through a hole in the table, but the open slot in the table will engage it when you fold the shelves up.



The Side Tables (5) go on next. Get 8 each of the M6 Bolts (9) It will also go through the Front Panel or Back Panel. When you tighten the Bolt, it should clamp tight against the frame, and the Side Table should move around freely on the shoulder bolt.



There are 2 holes on each edge of each shelf, so that you can mount the hooks wherever is convenient for you. To mount the hooks, spin a nut onto the threads, then put the hook in the hole and put another nut on the back. The nut can be left loose if you want the hook to swivel, or tightened up if you don't.

VARSITY ASSEMBLY GUIDE



Tighten all the bolts that you have installed and enjoy your Varisty Grill!



www.PartyKingGrills.com